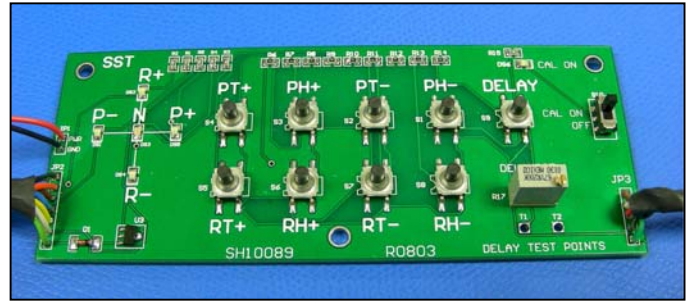


Technical Note

TADII - Calibration Board Connection Diagram

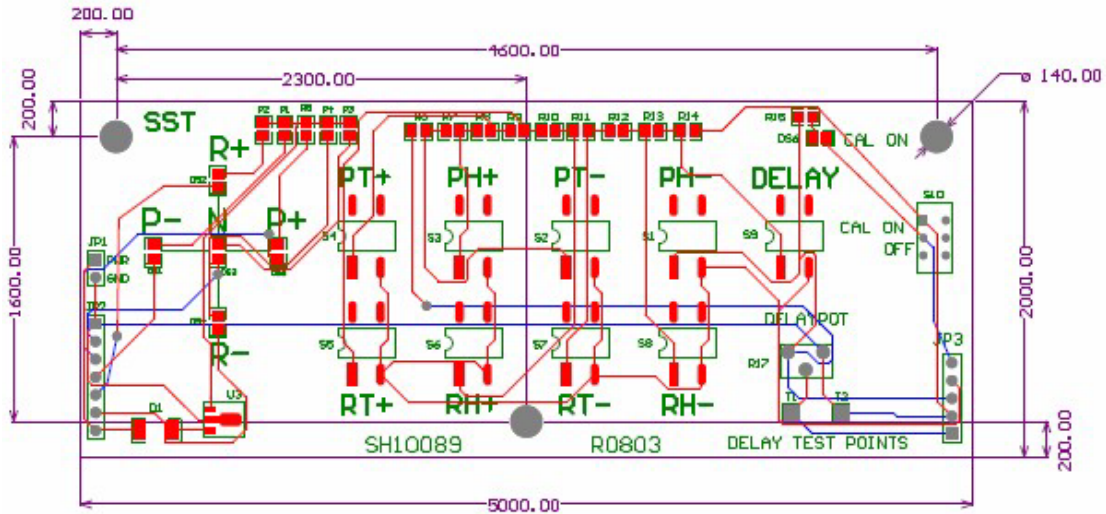
The TADII Calibration Board, part number SA40127, is an electronic interface module, which is used to perform field calibrations on the TADII – Threshold Angle Detector (see Application Note SAN-218-XXXX). It supplies the TADII with the proper DC operating voltage, input signals to the microprocessor during the calibration routine, and provides visual confirmation of the calibration via LED's.



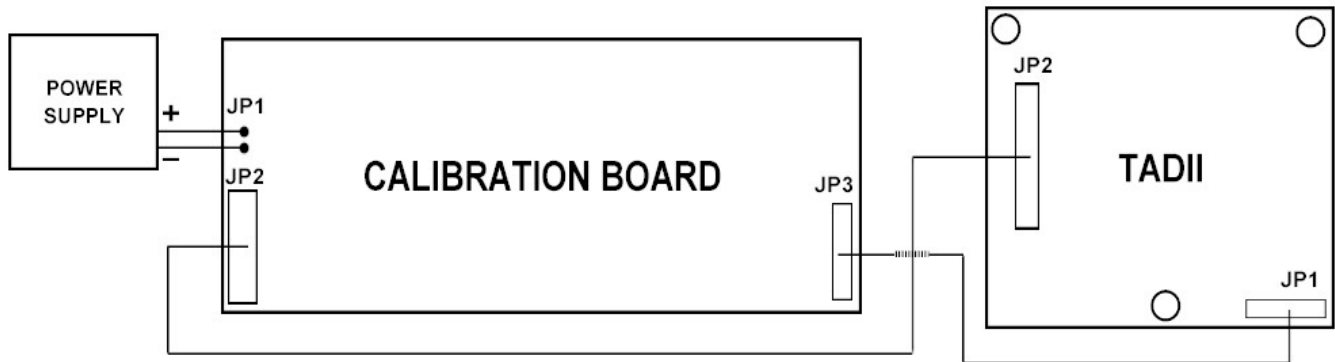
SPECIFICATIONS

Supply voltage.....+10 to +25Vdc (unregulated)
 Supply current..... 40mA
 Operating temperature.....-30° to +70°C .
 Storage temperature..... -55° to +125°C
 Harness / Power lead lengths..... harness (JP2 & JP3) = 2 ft. power leads (JP1) = 3 ft.

DIMENSIONS (mils)



CONNECTIONS TO TADII



SPECTRON GLASS AND ELECTRONICS INC.

595 OLD WILLET'S PATH
 HAUPPAUGE NY 11788
 PHONE: 631 582-5600
 FAX: 631 582-5671

www.spectronsensors.com

Specifications are subject to change without notice!



Doc.# STN-219-4608