

SA40011 – Dual Axis Signal Conditioning Module

The **SA40011- Dual Axis Signal Conditioning Module** is a bipolar DC input/output operated device, specifically designed to interface directly with the entire line of *SP5000 Series Dual Axis Tilt Sensors*. This PC board mountable module internally converts the DC input voltage into an AC excitation voltage for the sensor, and demodulates the sensor output into a smooth amplified DC output voltage. Incorporating a proprietary signal processing algorithm, and an external temperature compensation sensor (optional), normal measurement errors are severely reduced. The **SA40011** also features overload protection, and is 100% reliability tested to provide the highest quality available.

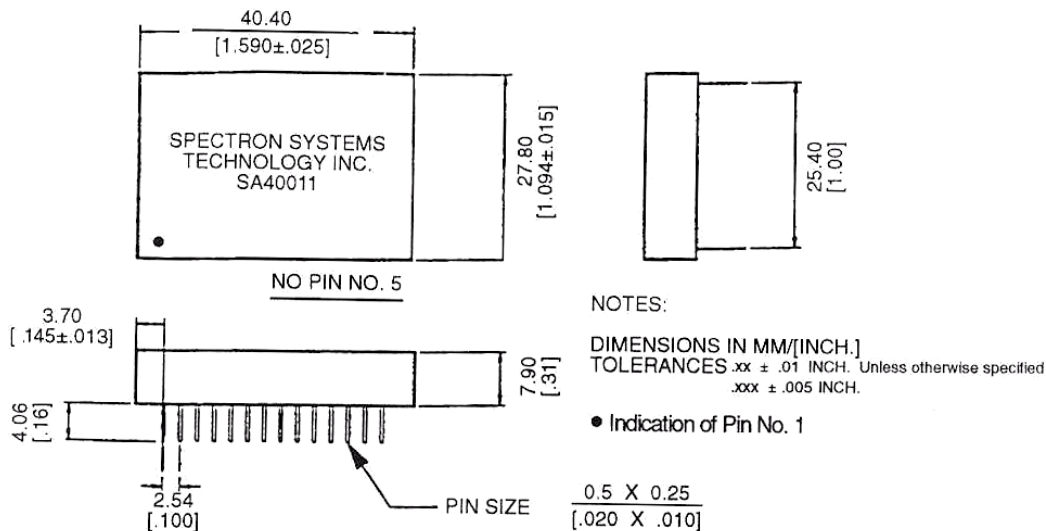
General Specifications

Input voltage +/-10 to +/-16Vdc
Input current 12mA
Sensor excitation 10 V pp, square wave
Input impedance 5 megohms
Output +/-7Vdc @ +/-10Vdc input
Time constant 150 msec
Offset adjustment +/-1Vdc
Output ripple 0.2% / Vdc output
Temperature coefficients (module w/out sensor)
- Null 60 microvolts / C^o (typical)
- Scale 0.02% / C^o
Output short duration Continuous
Temperature range
- Operating -20 to +70C^o
- Storage -40 to +80C^o

Temperature Compensation

- Temperature compensation of the assembly (module and sensor) can be accomplished using an external silicon temperature sensor (KTY81-120) and resistor (47k ohm typical). With this configuration, it is possible to reduce the scale temperature coefficient error from a 0.3%/C^o (nominal), to 0.03%/C^o (nominal). Please see wiring diagram for connection points.

Dimensions



SPECTRON SYSTEMS TECHNOLOGY INC.

595 OLD WILLETS PATH
HAUPPAUGE NY 11788
PHONE: 631 582-5600
FAX: 631 582-5671



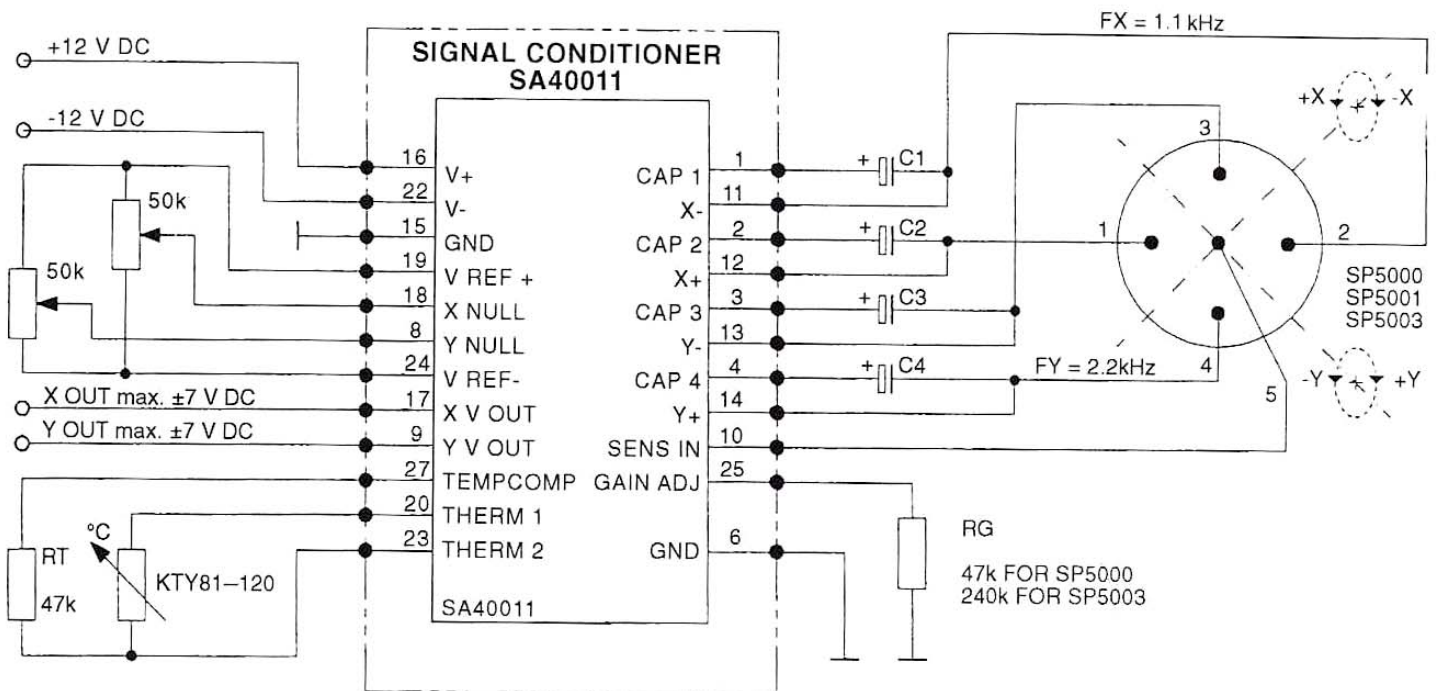
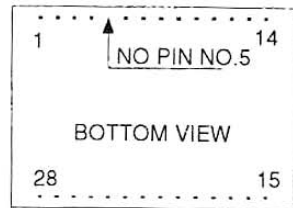
Specifications are subject to change without notice!

Doc.# SDS-106-0405

SA40011 – Dual Axis Signal Conditioning Module

Input/Output Connections

PIN CONFIGURATION SA40011



NOTES:

RT, RG: 1% 50ppm
 C1...C4: TANTALUM TYPE 199 D

Consult factory for further technical information and ordering details!



SPECTRON SYSTEMS TECHNOLOGY INC.

595 OLD WILLETS PATH
 HAUPPAUGE NY 11788
 PHONE: 631 582-5600
 FAX: 631 582-5671



Specifications are subject to change without notice!

Doc.# SDS-106-0405