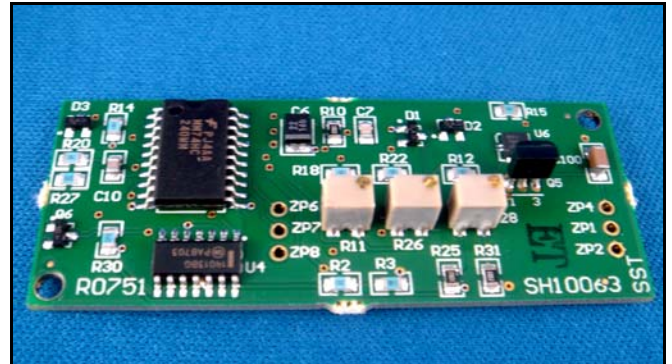


SA40072 – 4 to 20mA Signal Conditioner

The SA40072 is a single channel signal conditioner, which provides a 4 to 20mA output. With the ability to interface directly with the complete line of Spectron single axis electrolytic tilt sensors (not included), the SA40072 is the perfect solution for narrow or wide angle measurements. The open architecture design is ideal for space restrictive / OEM applications, while the 4-20mA output can be easily interfaced to most industrial / process industry controllers. The sensor is remotely mounted from the electronics, thereby providing maximum installation flexibility.



General Specifications

Input Voltage+14 to +24Vdc
 Input Current 30mA (max)
 Output 4-20mA
 Load (maximum)
 - 500 ohms @ +14Vdc input
 - 1,000 ohms @ +24Vdc input
 Operating Temp range -20 to +70 degC

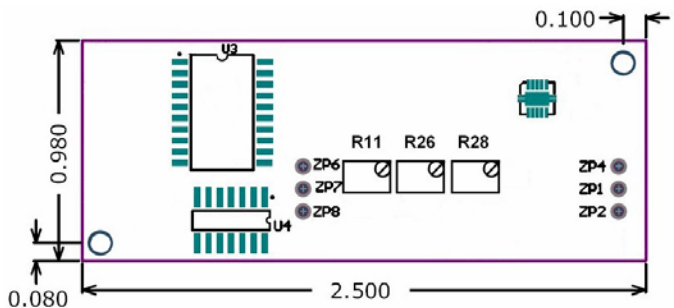
Input/Output Connections

PCB Location	Function
ZP1	Input Voltage
ZP2	Ground
ZP4	4-20mA output
ZP6	sensor electrode 'A'
ZP7	sensor electrode 'B'
ZP8	sensor neutral (center)

Output Ripple (noise)

Output (mA)	Load (ohms)	Ripple (uA @ 600Hz)
19	475	38
12	475	2
5	475	38

Dimensions (inches)



Adjustment Potentiometers

PCB Location	Function
R28	Null (12mA)
R11	Positive Output (20mA max.)
R26	Negative Output (4mA min.)

Mounting Holes – M2.5 (2 places)

Consult factory for technical information and ordering details!



SPECTRON SYSTEMS TECHNOLOGY INC.

595 OLD WILLETS PATH
 HAUPPAUGE NY 11788
 PHONE: 631 582-5600
 FAX: 631 582-5671

www.spectronsensors.com

