

Dual Axis Electrolytic Tilt Sensors – SP5000 and AU6000 Series

The SP5000 and AU6000 Series of Dual Axis Electrolytic Tilt Sensors afford unparalleled price, performance, quality, and exceptional reliability. These hermetically sealed sensors are produced in an automated environment, resulting in a high level of uniformity from sensor to sensor. Geared towards the OEM marketplace, they feature a PC board mountable design, no moving parts, and a symmetrical pin design which eliminates installation orientation concerns. A variety of models are available to fulfil all applications and budgets.

Applications

- Automotive • Industrial • Aerospace • Construction • Medical
- Agricultural • Oceanographic • Geophysical • Architectural • GPS

Specifications



Characteristic	Model			
	SP 5000-A-000	SP 5020-A-000	SP 5003-A-000	AU 6004-A-001
Total Range (degrees)	+/-45	+/-60	+/-20	+/-70
Output (Vdc/arc degree) *	0.13	0.10	0.26	0.11
Resolution (arc degrees)	0.02	0.01	0.005	0.05
Repeatability (arc degrees)	0.04	0.03	0.02	0.20
Symmetry @ 1/2 Scale (%)	5	5	5	50
Linearity - % @ 1/4 Scale	0.8	0.6	0.2	5
Linearity - % @ 1/2 Scale	3	4	1	15
Null Impedance (Kohms)				
+25 degC	3.4	2.2	3.1	3.0
+80 degC	1.7	5.1	1.6	5.1
-40 degC	13.0	7.8	11.0	50.0
Settling Time (mSec)				
+25 degC	160	240	270	2300
+80 degC	160	240	350	100
-40 degC	250	270	210	4000
Null Stability, 12 hrs @25 deg.C (arc deg's, typ.)	0.04	0.04	0.03	0.10
Cross Coupling (degrees)				
15 degrees	0.7	1.3	1.3	1.3
30 degrees	1.6	2.7	2.0	3.0
45 degrees	2.9	4.5	5.9	6.0
Bore Sight Error (degrees)	3.0	3.0	3.0	-
Temperature Range (degrees C)				
Operating	+80 to -40	+80 to -40	+80 to -40	+50 to -20
Storage	+125 to -55	+125 to -55	+125 to -55	+90 to -40
Temp Coefficient of Null (arc seconds/degC)	20	20	10	20
Temp. coefficient of Scale (%/deg.C, typ.)	0.10	0.06	0.10	0.05

* = Output levels derived using MUPI-2 Signal Conditioner.

Note; The electrolyte used in these sensors is an Alcohol based fluid, contains no heavy metals, and is non-corrosive. The conductivity and viscosity can be custom tailored to satisfy widely varied applications.



SPECTRON GLASS AND ELECTRONICS INC.

595 OLD WILLETS PATH

HAUPPAUGE NY 11788

PHONE: 631 582-5600

FAX: 631 582-5671

www.spectronsensors.com

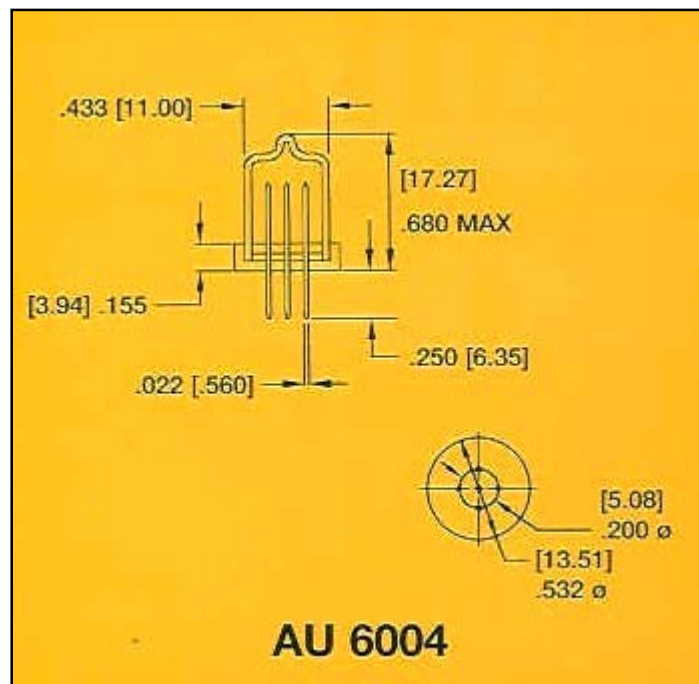
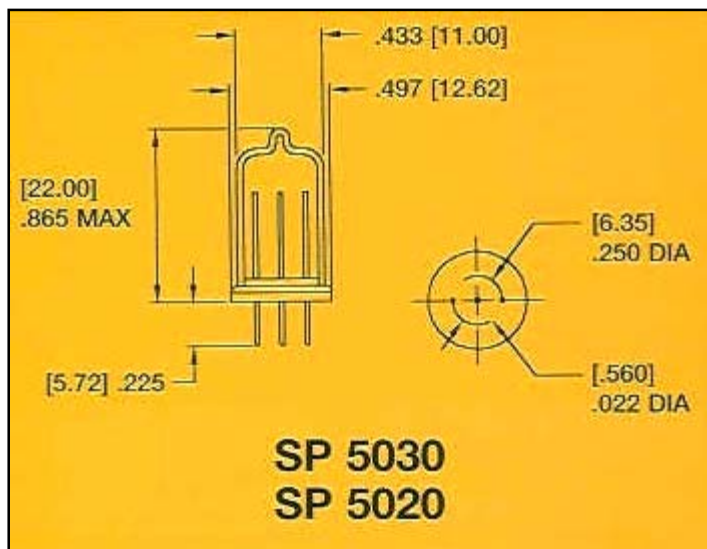
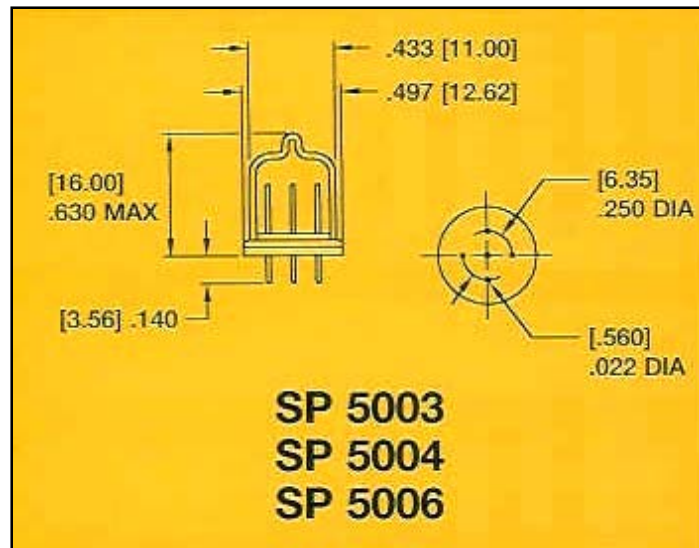
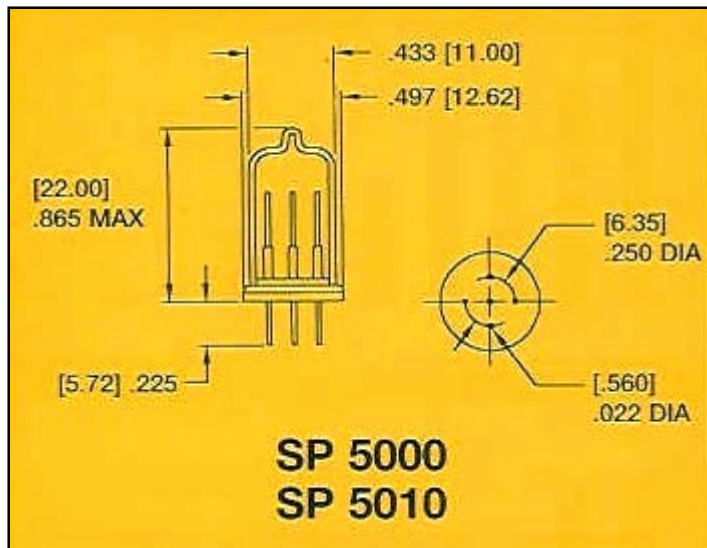
Specifications are subject to change without notice!



Doc.# SDS-117-1409

Dual Axis Electrolytic Tilt Sensors – SP5000 and AU6000 Series

Physical Dimensions inches (mm)



SPECTRON GLASS AND ELECTRONICS INC.

595 OLD WILLETS PATH

HAUPPAUGE NY 11788

PHONE: 631 582-5600

FAX: 631 582-5671

www.spectronsensors.com

Specifications are subject to change without notice!



Doc.# SDS-117-1409