

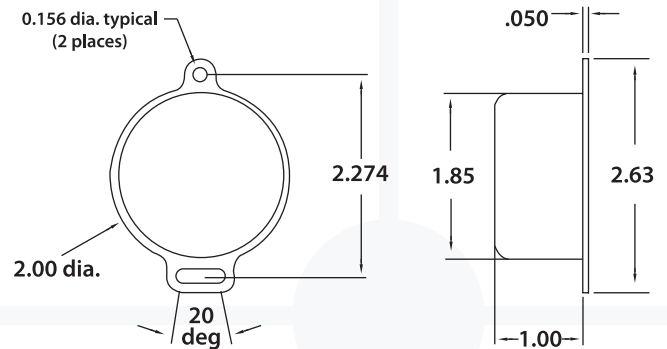


The **SPECTROTILT™ 4-20mA Electronic Inclinometer** is a fully signal conditioned, single axis tilt sensor. By combining a proprietary glass/ceramic hybrid electrolytic tilt sensor, with custom electronics, the **SPECTROTILT™** rivals both the performance of higher priced sensors, and the cost of less capable solutions. Features include a +/-60 degree linear sensing range, ESD and EMI protection, aluminum housing, all in a hermetically sealed package.

Designed to operate in the most physically demanding environments, this robust inclinometer is also ideal for numerous other applications. Options include vertical or horizontal mounting. The viscosity of the fluid inside the sensing element can be altered, to decrease susceptibility in high vibration environments. Custom sensing ranges, cable length/type and connectors are also available.



Physical Dimensions (inches)



Electrical Connections

- Black** = Ground
- Red** = +14 to +25Vdc (unregulated)
- White** = Output signal

Ordering Information

Part Number	Description
SSY0185-HIS	Horizontal mount
SSY0185-VIS	Vertical mount

Applications

- Construction Equipment
- Weir Gates
- Leveling Systems
- Drilling Rigs
- Process Monitoring

General Specifications

Input Voltage +14 to +25Vdc (unregulated)
 Input Current 26mA (max.)
 Output 0.117mA / degree
 Load (preferred)..... 475 - 510 ohms
 Null Output 12mA
 Repeatability.....0.02 degrees
 Resolution0.001 degrees
 Linear Range +/-60 degrees

Linearity

- 0 to 10 deg.....0.1 degrees
- 10 to 60 deg..... 1% of reading

Temperature Range

- operating-40° to +70° C
- storage.....-55° to +80° C

Temp. Coefficient of Null 0.008 deg./Co
 Temp. Coefficient of Scale 0.1% / Co
 Start-up Time..... <1 second
 Weight80 grams