

Dual Axis Threshold Detector



The **SSY0272** series is a dual axis threshold detector with two dry contacts offers multiple configurations to detect tilt. The dry contacts can work with AC or DC voltage and provides a high isolation (>1000Mohm) between the power supply and the contacts. The trip angle can range from 60 degrees to 0.1 degrees. Higher resolutions are available on demand.

The IP66 aluminum alloy #ADC-12 enclosure guarantees a reliable working unit in tough outdoor environments. The unit has protection against reverse polarity and short circuit. The trip angles and trip delay can be adjusted at the factory or adjusted in the field with an SA40127 calibration board environments. In addition, the digital output signal is ideal for long cable runs, eliminating concerns over signal loss and noise.

Applications

- Safety Systems (Manlifts, Roll-over protection)
- Platform Monitoring and Control
- RV Leveling (Automatic and Manual Systems)
- Alarm Systems

General Specifications

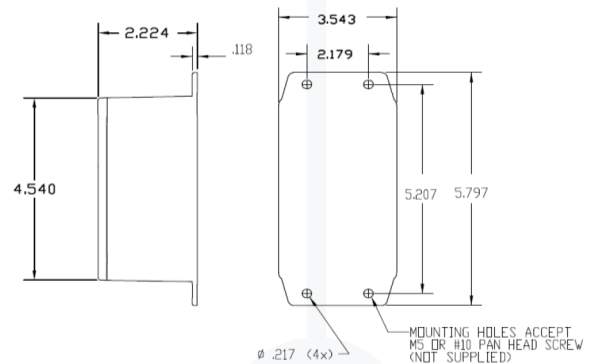
Supply Voltage.....	..10-30 VDC
Idle Current Draw.....	..10mA (no load)
Contact Rating.....	max current 4 amps, max switching voltage 750 VA
Protection.....	Reverse Polarity, Open / Shorted Signal Leads
Accuracy.....	0.1 deg or trip angle divided by 200 whichever is greater
Repeatability.....	Sensor and Range dependant
Hysteresis.....	Adjustable to 100% of the trip angle.

Environmental Features

Operating Temp.....	..-30 to 70 deg (C)
Storage Temp.....	..-55 to 125 deg (C)
Housing.....	..P66
Resistance.....	..Humidity, Water/Rain, Sun, UV Exposure

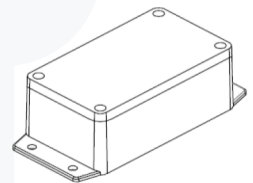
Adjustments/Features

Trip Angle.....	..0.1 deg to 60 deg
Trip Delay.....	..0 to 10 seconds



Electrical Connections

7 Conductors 18 AWG
Compliances: UL 1581, UL 1277



Electrical Connections

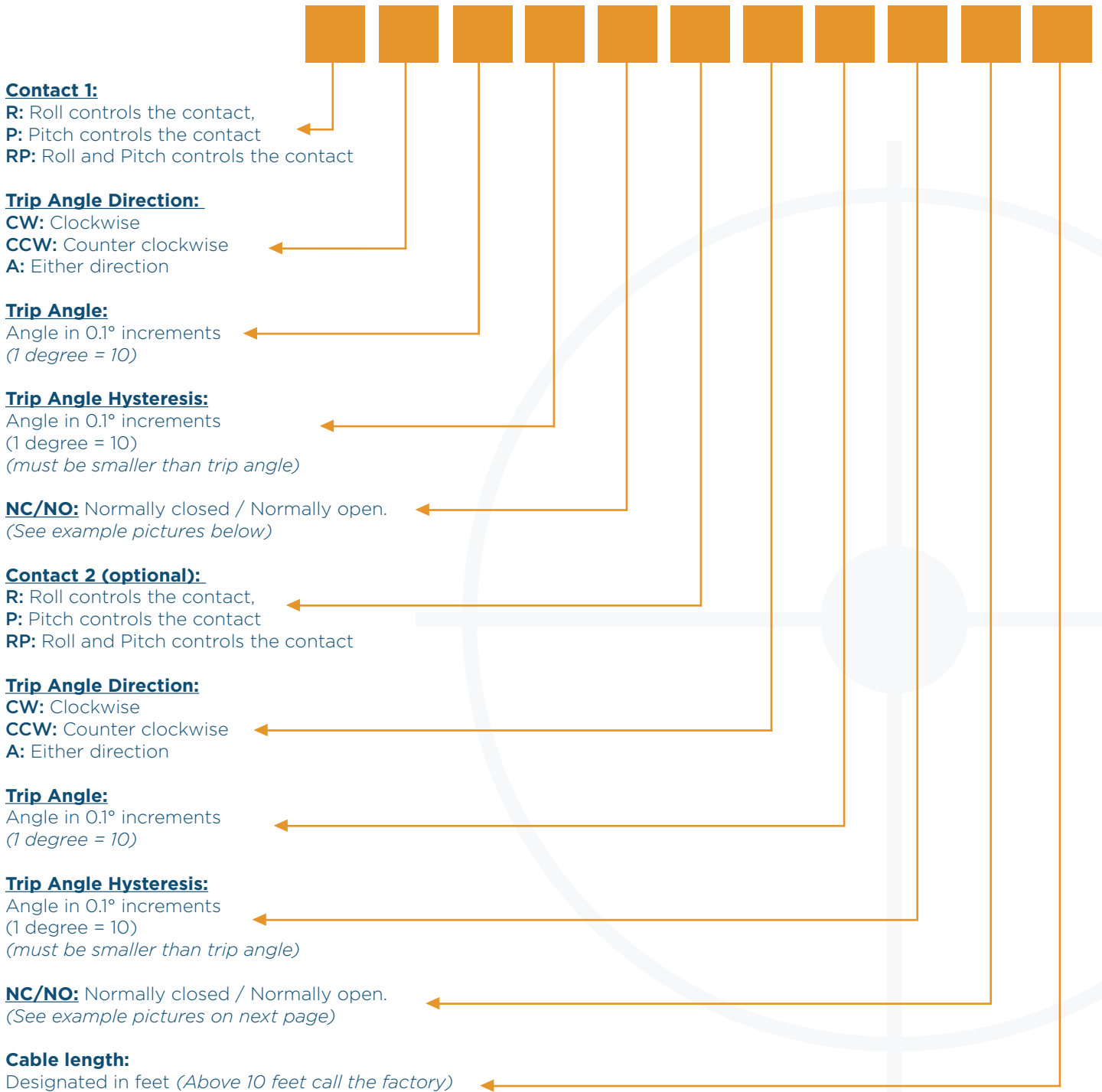
Red +10 to 30 VDC Black Gnd
Blue Contact 1
Orange Contact 1
Yellow Contact 2
Brown Contact 2
Red with Black Stripe not used

Consult factory for further technical information!

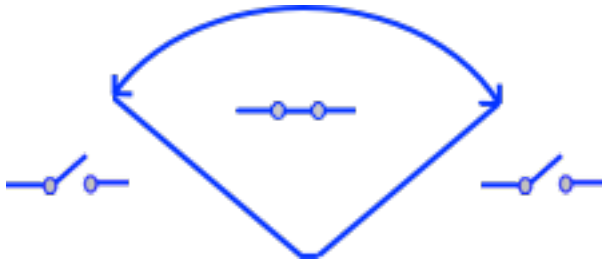
Dual Axis Threshold Detector

Dual Axis Threshold Detector

SSY0272 | SSY0272 Part Number nomenclature



Dual Axis Threshold Detector



NC normally closed: The contact is closed before it reaches the trip point. Once the trip point has been reached the contact opens allowing the relay to send a message

Examples:

SSY272-R-CW10-2-NC-R-CCW10-2-NC-6

- Open contact 1 when roll CW is over 1 degree. Hysteresis is .2 degrees.
- Open contact 2 when roll CCW is over 1 degree. Hysteresis is .2 degrees.
- The cable length is 6 feet.

SS272-R-A20-4-NC-P-A20-4-NO-1

- Open contact 1 when roll CCW or CW is over 2 degrees. Hysteresis is .4 degrees.
- Close contact 2 when pitch CCW or CW is over 2 degrees. Hysteresis is .4 degrees.
- The cable length is 1 foot.



NC normally opened: The contact is open before it reaches the trip point. Once the trip point has been reached the contact closes allowing the relay to send a message

Examples:

SSY272-RP-A10-2-NO-3

- Open contact 1 when roll or pitch CCW or CW is less than 1 degree. Hysteresis is .2 degrees.
- The cable length is 3 feet.

SSY272-RP-A350-10-NC-3

- Open contact 1 when roll or pitch CCW or CW is more than 35 degrees. Hysteresis is 1 degree..
- The cable length is 3 feet.

Dual Axis Threshold Detector



Block Diagram

